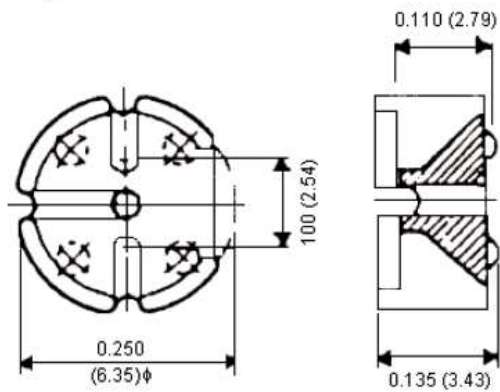




Specifications

Material : Polyester
For Use With : TO-92 Transistors
External Dimension (Length×Width) : 6.35mm×3.43mm

Diagram



TO-92, Transistor-Montagepad 6.35mm x 3.43mm x 3.43mm

Dimensions : Inches (Millimetres)

Artikel: SHO-TO92-MONPAD1 (002430)