

1.27mm(0.050") Box Header SMT

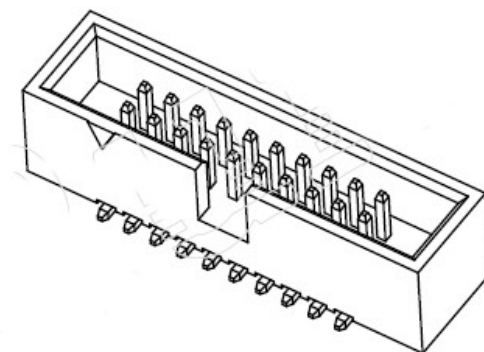
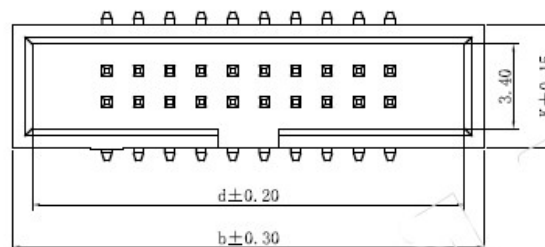
MATERIALS

Insulator :PA6T+30%Glass Fiber,
UL94V-0

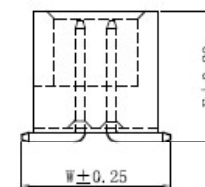
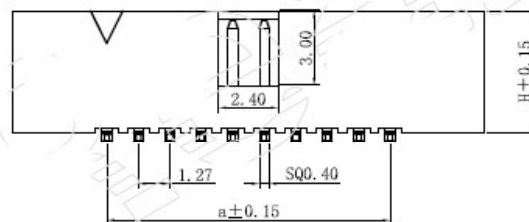
Contact :Brass
Contact Plating :Gold/Tin over Nickel

SPECIFICATONS

Current Rating :1A
Operation Temperature :-40°C to +105°C
Insulation Resistance :1000MΩ Min
contact resistance :30mΩ Max
Processing Temperature:260°C for 10 seconds



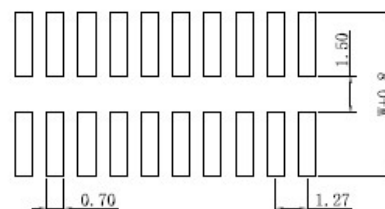
$a = 1.27 \times (\text{No. of pins per row} - 1)$
 $b = 1.27 \times (\text{No. of pins per row}) + 6.35$
 $d = 1.27 \times (\text{No. of pins per row}) + 4.75$



Ordering Information

BH1.27×H-K-nT-Gxx-Pxx-Mx

- Insulator Height
H=4.9mm
- Insulator Width
K=5.0mm
- No. of Pins per Row
 6P 16P 30P 60P
 8P 18P 34P 64P
 10P 20P 40P 68P
 12P 24P 44P 70P
 14P 26P 50P
 T: SMT
- Material Type:
1:PBT 2:PA6T 3:PA9T 4:LCP
- Packing
1:PE bag 2:Tube pack
3:Tray pack
4:Tape and reel with CAP
5:Tape and reel with MYLAR
6:Tape and reel with SUS304
- Contact Plated
0:Tin 1:Gold flash
2:Gold 1μ 3:Gold 1.5μ
4:Gold 3μ 5:Gold 10μ



PCB Layout

客户料号					
客户料号	BH1.27×4.9-__T	4.9	5.0		
参考数据	BH1.27×4.9-20T	4.9	5.0	6.0	5.3
规格型号	BH1.27×H-nT	H	K	W	E

shotech Steffen Hofmann				TOLERANCE UNLESS OTHERWISE SPECIFIED	DWG NO.:	SCALE:	FIT
				.XXX ±0.10 .XX ±0.20 .X ±0.30 .X° ±0.3°	UNIT: mm	SHEET:	1/1
PRODUCT NAME:	Box Header	VER:	03	CHECKED BY:		DRAWN BY:	Burning
SPECIFICATION:	BH1.27×4.9-nT	DATE:	2015.4.7	ECN:			