

Nur für Emulator

Z8 CCP EMU (Z86E40)

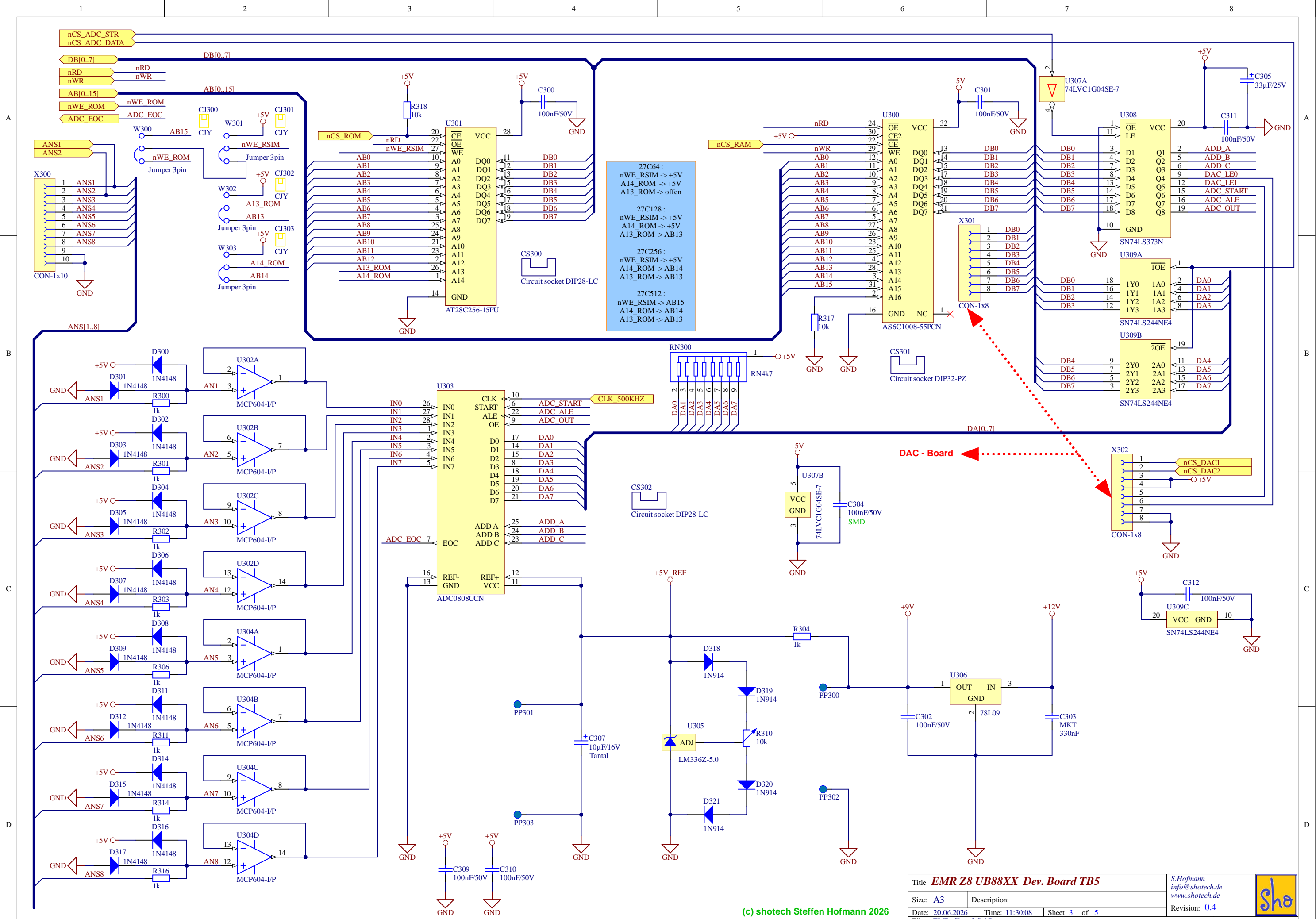
R_nW	1	2	P25
P26	3	4	P27
AD4	5	6	AD5
AD6	7	8	AB12
AB13	9	10	AD7
AB15	11	12	AB14
P32	15	16	P31
P34	17	18	P33
nRST	21	22	P35
TX_UB	23	24	P36
RX_UB	25	26	AD0
AD1	27	28	AB8
AB9	29	30	AD2
AB11	33	34	AD3
P20	35	36	P21
P22	37	38	P23
P24	39	40	nDS

W200 40G

AB10	MSB_2
AB14	MSB_6
AB13	MSB_5
AB12	MSB_4
AB11	MSB_3

(c) shotech Steffen Hofmann 2026

Z200
1 2 3 4
Lagenanzeige



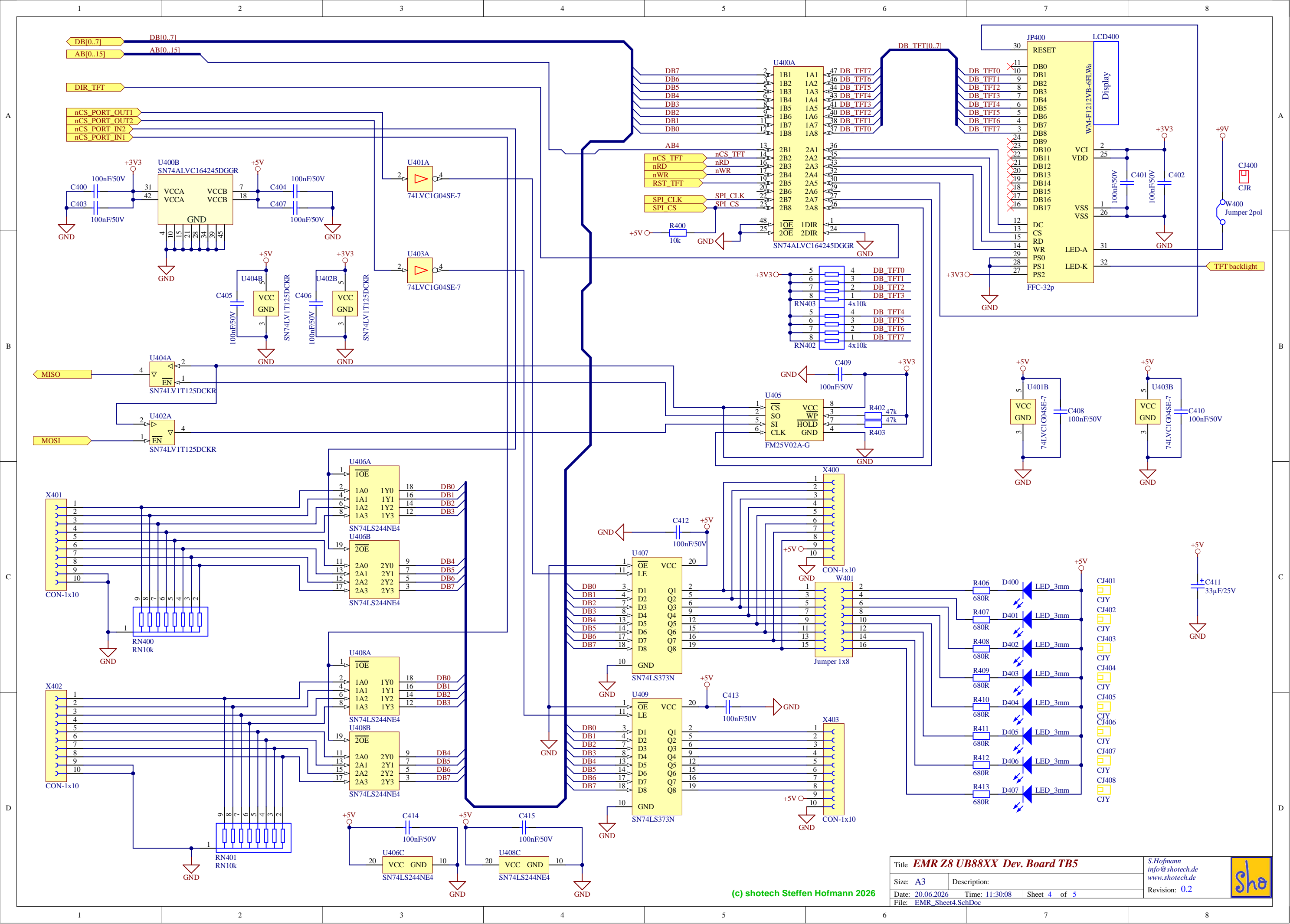
27C64 :
 nWE_RSIM -> +5V
 A14_ROM -> +5V
 A13_ROM -> offen

27C128 :
 nWE_RSIM -> +5V
 A14_ROM -> +5V
 A13_ROM -> AB13

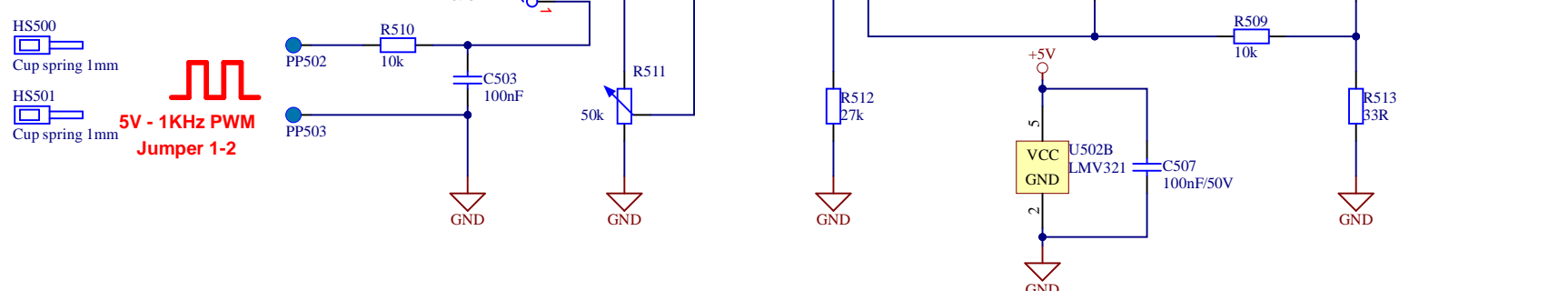
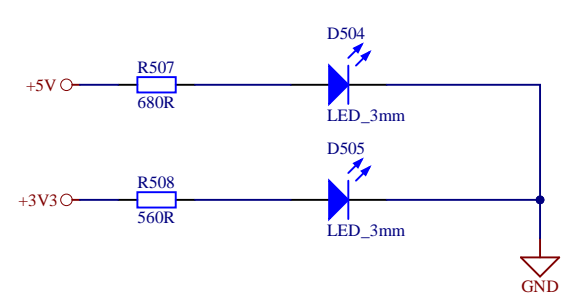
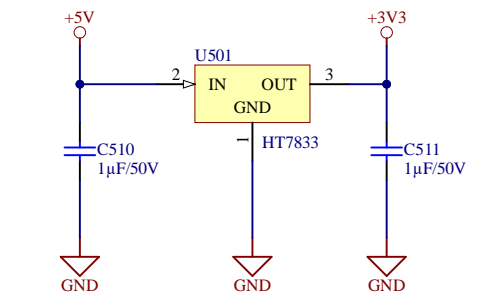
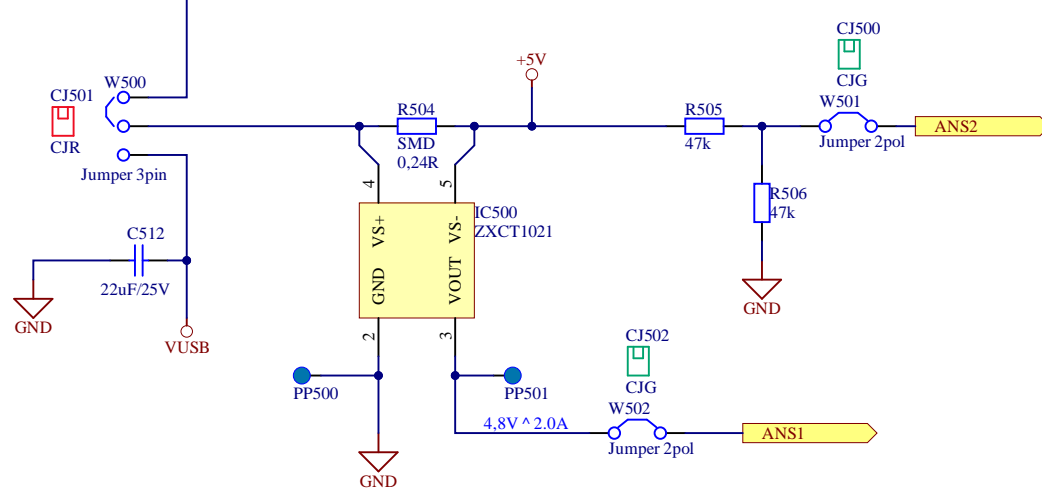
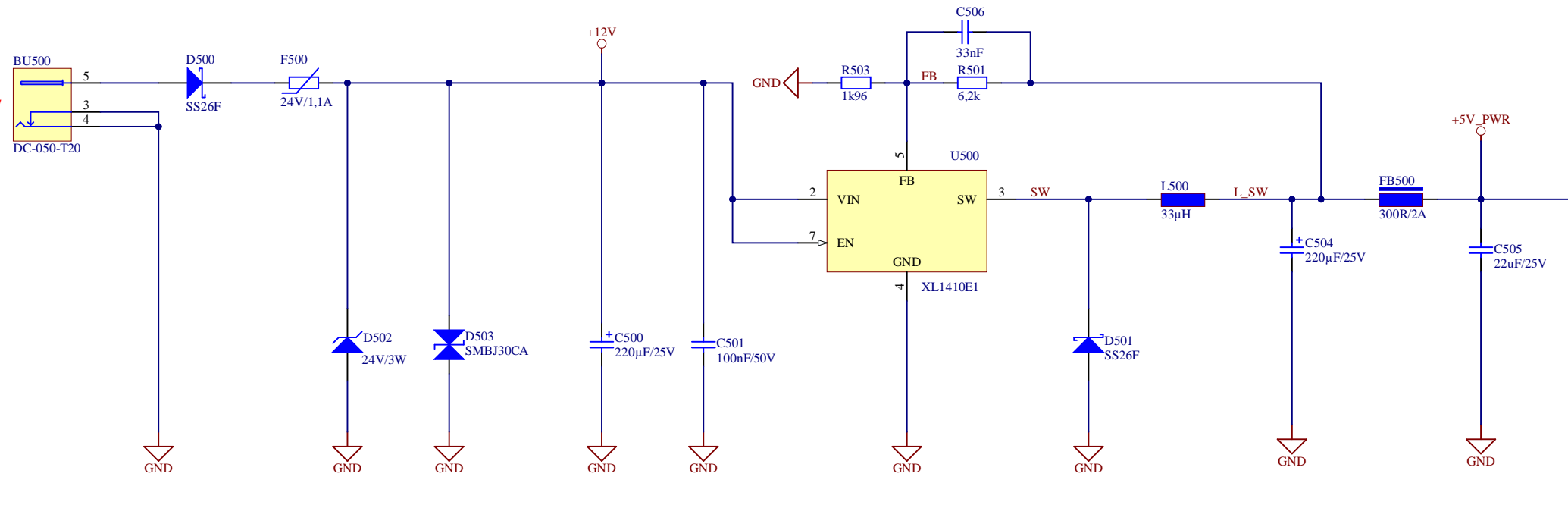
27C256 :
 nWE_RSIM -> +5V
 A14_ROM -> AB14
 A13_ROM -> AB13

27C512 :
 nWE_RSIM -> AB15
 A14_ROM -> AB14
 A13_ROM -> AB13

DAC - Board

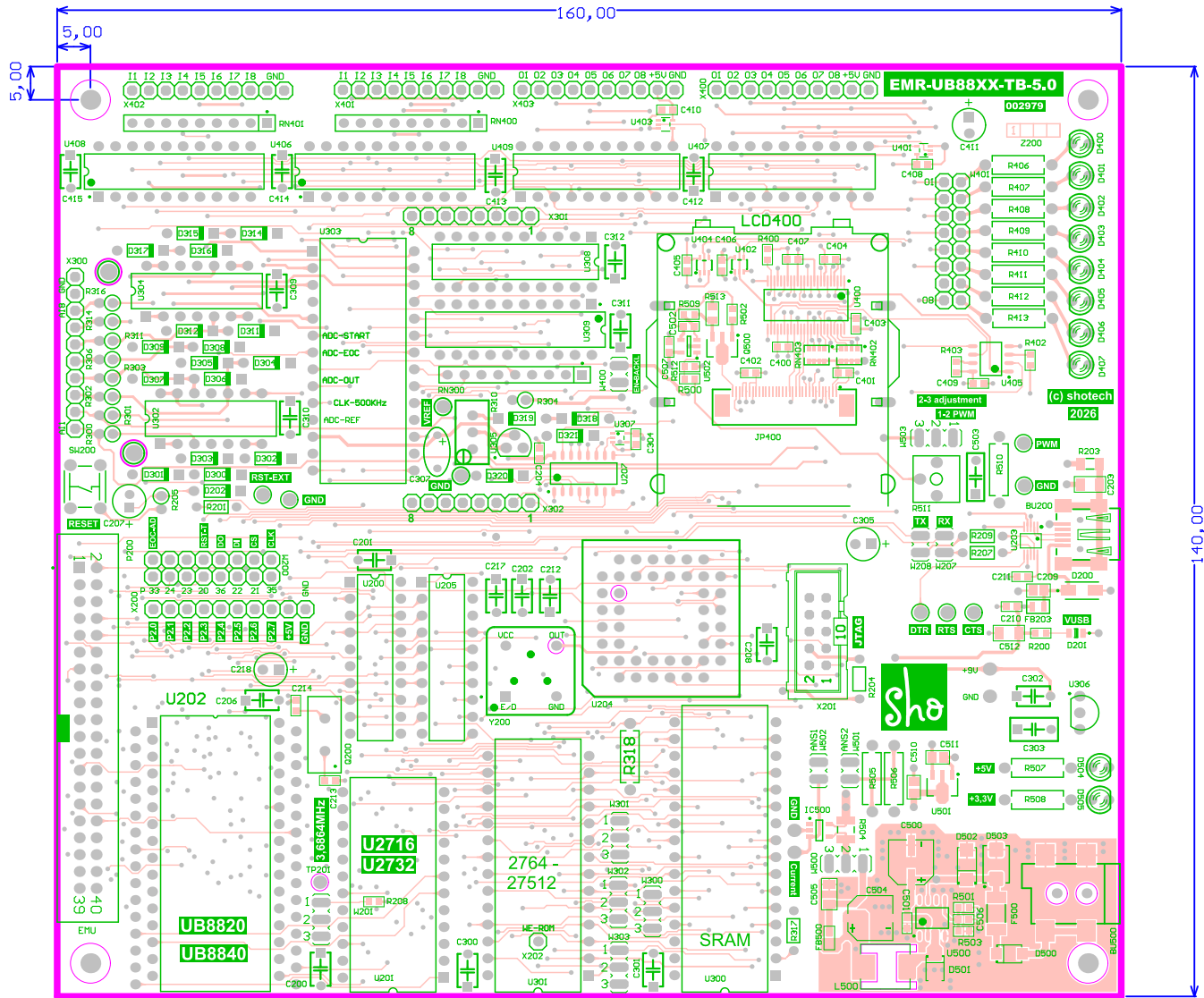


DC +12V to DC +16V

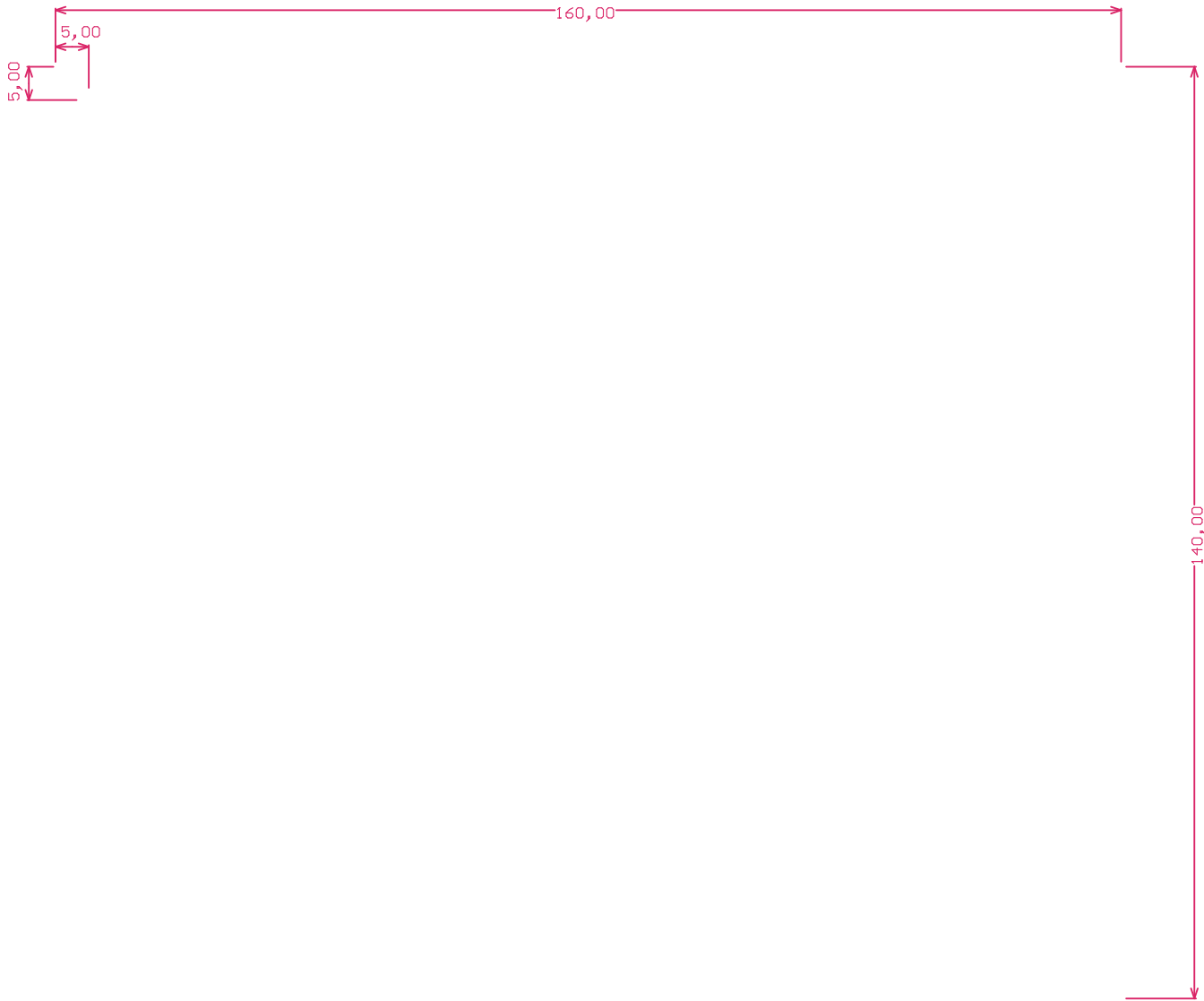


(c) shotech Steffen Hofmann 2026

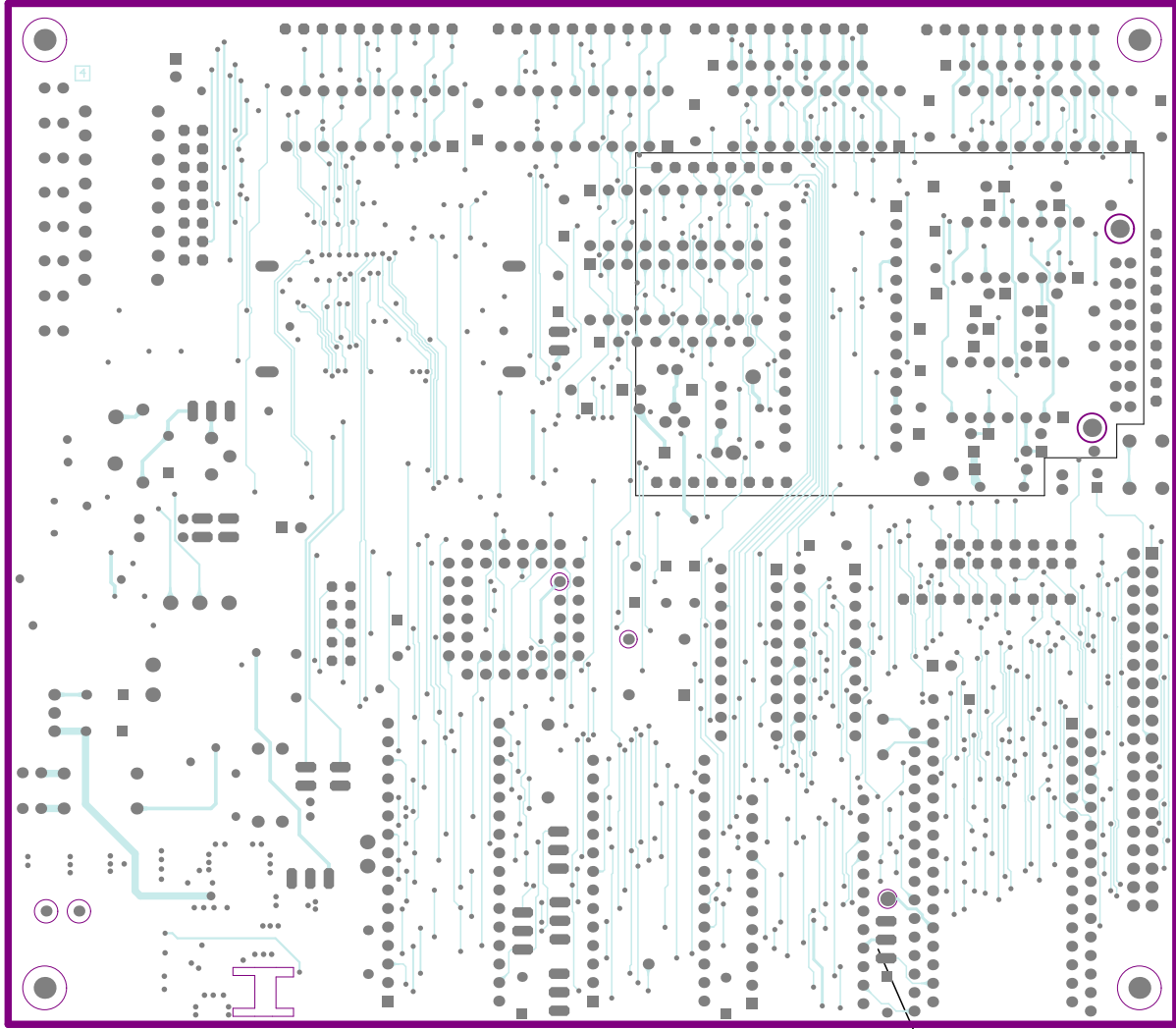




	EMR-Z86C93-TB5 Board
A4	(C) shotech Steffen Hofmann



Sho	EMR-Z86C93-TB5 Board
A4	(C) shotech Steffen Hofmann



3-3 = NS335
1-3 = NS316



Bearbeiter: S. Hofmann
 Tel: 040 /
 Fax: 040 / 76906856
 Email: shop@shotech.de

Bill of Materials

Datum:	20. Juni 2026
Zeit:	11:30:44
Variante:	None
Bezeichnung:	EMR Z8 UB88XX Dev. Board TB5
Revision:	0.2
Description:	

Quantity	Designator	Footprint	Bemerkung	Value	MTF	Order-code	Second-source	shotech
18	C212, C217, C300, C301, C302,	CAP_Radial_5MM	100nF/50V±10%/X7R/RM 5.08	100nF/50V	Murata	RDER71H104K0M1H03A	C322C104K5R5TA - shotech	2669
1	C207	CAPPR2-5x11	Alu-Elektrolytkondensatoren - verdrahtet 50volts 2.2uF 20%	2.2uF/50V	Panasonic	EEU-EB1H2R2SB		
1	C218, C305, C411	CAPPR5-5x7 - KS	KS 33uF 25V 20% 5x7/2,5	33uF/25V	Chang Yang	KS1E30MCO70B25CV0		1346
1	C303	CAP_Radial_5MM_7k2_3k5	Folienkondensator, 330nF / 63V / 10% RM5	330nF	KEMET	R82DC330DQ60K		
1	C307	CAPNT05.08-7.37x3.94	bedrahtet	10uF/16V	VISHAY	489D106X0016C6VE3		
1	C503	CAP_Radial_5MM_7k2_2k5	Folienkondensator, 100nF, 63V, RM5, 10%	100nF	KEMET	R82DC3100AA50K		1682
23	CJ204, CJ205, CJ206, CJ207,		Circuit_Jumper Yellow	CJY	free	free		
1	CJ211		Circuit_keycap yellow	Cky	free	free		
2	CJ400, CJ501		Circuit_Jumper Red	CJR	free	free		
1	CJ500, CJ502, CJ503		Circuit_Jumper Green	CJG	free	free		
1	CS200		Circuit_socket DIP24-PZ		Multicomp	2227MC-24-06-08-F1		2991
1	CS201		Circuit_socket PLCC44		MC	MC-44PLCC		1537
2	CS300, CS302		Circuit_socket DIP28-PZ		ASS	AR28-H2L-TT		1328
1	CS301		Circuit_socket DIP32-PZ		ASS	AR32-H2L-TT		1329
17	D304, D305, D306, D307, D308,	DO-35	Dioden (Allzweck, Leistung, Schaltung) Vr/75V Iq/150mA T/R	1N4148	On Semiconductors	1N4148TR		1594
4	D318, D319, D320, D321	DO-35	Dioden (Allzweck, Leistung, Schaltung) Vr/75V Iq/150mA T/R	1N914	Vishay	1N914TAP		2498
10	D405, D406, D407, D504, D505	LED3MM		LED_3mm	frei			
2	HS500, HS501		Cup spring for soldering pin 1mm	Cup spring 1mm	Osterrath	64-1389-11/0030		1860
1	KK200		Mini-Aluminium-Kühlkörper 14x14x8	KK-14x14x8	NN	KK-14x14x8		2992
1	KL200		Circuit board		frei			
1	LCD400	YTC150ALAA_01-DISP			Wintek	WM-F1212VB-6FLWa		
14	PP208, PP300, PP301, PP302,	VERO_Testpoint_Blue	Prüfpunkt					
1	Q200	HC494H_SMX	Quarze 7,3728MHz 20pF 30ppm -40C 85C	7.3728MHz	CTS Electronic Components	ATS073-E		
1	R201	RES6.5-3.4X1.9	WIDERSTAND, 204, axial, 1%	4k7	frei			1248
1	R204	RES6.5-3.4X1.9	Metallsch. 0204 1/4W 1%	0R	frei			
10	R304, R306, R311, R314, R316	RESADV200W55L630D240P	Metallsch. 0207 1/4W 1%	1k	frei	RMGK001		1235
2	R207, R209	RES6.5-3.4X1.9	Metallsch. 0204 1/4W 1%	1k	frei			1255
1	R310	T93YA	Cermet Spindeltrimmer 10k	10k	Vishay	T93YA103KT20		1571
1	R317	RES6.5-3.4X1.9	WIDERSTAND, 204, axial, 1%	10k	frei			1253
1	R318	RES10-7.8X2.8	WIDERSTAND, 207, axial, 10k, 1%	10k	frei			
9	R411, R412, R413, R507	RES10-7.8X2.8	WIDERSTAND, 207, axial, 1%	880R	frei			1236
2	R505, R506	RES10-7.8X2.8	WIDERSTAND, 207, axial, 47k, 1%	47k				
1	R508	RES10-7.8X2.8	WIDERSTAND, 207, axial, 1%	560R	frei			1849
1	R510	RES10-7.8X2.8 -10k	WIDERSTAND, 207, axial, 1%	10k	frei	RMGK010		1233
1	R511	CT-6EP	50k Trimmer	50k	COPAL	CT-6EP-503		
1	RN400, RN401	SIP240W50P254L2276H508Q9P	Widerstandnetzwerke u. -Arrays 9pins 10Kohms Bussed	RN10k	Bourms	4609X-101-103LF		
1	SW200	SW-DTS-644	Mini-Taster print stehend 1N	DTS-644N-V	Diptronics	DTS-644N-V		2455
4	U200, U308, U407, U409	N020	FLIP-FLOPS	SN74LS373N	Texas Instruments	SN74LS373N		
1	U201	PDIP24	EPROM 4K8x8	I2732C	DDR	I2732C	CAT28C16 (EPROM)	
1	U202	CQJIL64	8bit DDR Controller (Z8)	UB8840		UB8840	UB8820	
1	U204	PLCC-44	ISP 5V 10ns	ATF1502AS-10JU44	Microchip	ATF1502AS-10JU44	ATF1504AS-10JU44	
1	U205	N020	Bustransceiver Octal Bus	SN74LS245N	Texas Instruments	SN74LS245N		
1	U300	PDIP32	SRAM 1Mb, 2.7V-5.5V, 55ns 128K x 8 Asynch SRAM	AS6C1008-55PCN	Alliance Memory	AS6C1008-55PCN	70LLF , 1.50 EUR	
1	U301	PDIP28	EEPROM 256K 32K x 8 150 ns 4.5V-5.5V	AT28C256-15PU	Microchip Technology / Atmel	AT28C256-15PU	27C256, 27C128	
2	U302, U304	N014	Operationsverstärker Quad 2.7V	MCP604-IP	Microchip	MCP604-IP		
1	U303	N028	Analog-in-Digital-Wandler - ADC 8B MPU Compatible ADC	ADC0808CCN	Texas Instruments	ADC0808CCN/NOPB		
1	U305	SC_TO-92	Spannungsreferenzen PRECISION REFERENCE	LM336Z-5.0	Texas Instruments	LM336Z-5.0/NOPB		
1	U306	SC_TO-92 - Tape	U-Reg +9V 100mA T092	78L09	STMicroelectronics	L78L09ACZ-TR		1667
1	U309, U406, U408	N0020A	Puffer u. Leistungstreiber Octal Buff/Line Dvr W/3-State Opt	SN74LS244N	Texas Instruments	SN74LS244NE4		
2	W200, W401	ZX8		CON-zx8				
1	W201	JP2	Jumper 3pin	JP-A11	frei			
1	W207	JP1	Jumper RM2.54, rot	JUMP-RT		JUMP-RT		
1	W208	JP1	Jumper RM2.54, rot	JUMP-RT		JUMP-RT		
1	W500, W503	JP2	Jumper 3pin	Jumper 3pin	frei			[NoParam], 001564
6	W400, W501, W502	JP1	Jumper RM2.54, rot	JUMP-RT		JUMP-RT		
1	X201	ML10 - 2.54MM	Wannen-Stiftleiste 10 polig 75869-101LF	CON-CLPD-ATF15xx	Amphenol FCI	75869-101LF		2162
1	Y200	DIP-8 Crystal	Clock-Standardoszillatoren 1.0000MHz 30ppm 4Pin DIP/STD 5V	1.0000MHz	sho	1.0000MHz		