

1

2

3

4

5

6

7

8

A

A

B

B

C

C

D

D

U_HT32F0006_Sheet2
HT32F0006_Sheet2.SchDoc



U_HT32F0006_Sheet3
HT32F0006_Sheet3.SchDoc



Title HT32F0006 Board		S.Hofmann info@shotech.de www.shotech.de		
Size: A3	Description: Overview			
Date: 09.08.2020	Time: 21:16:38	Sheet 1 of 3		
File: HT32F0006_Sheet1.SchDoc		Revision: 0.0		

1

2

3

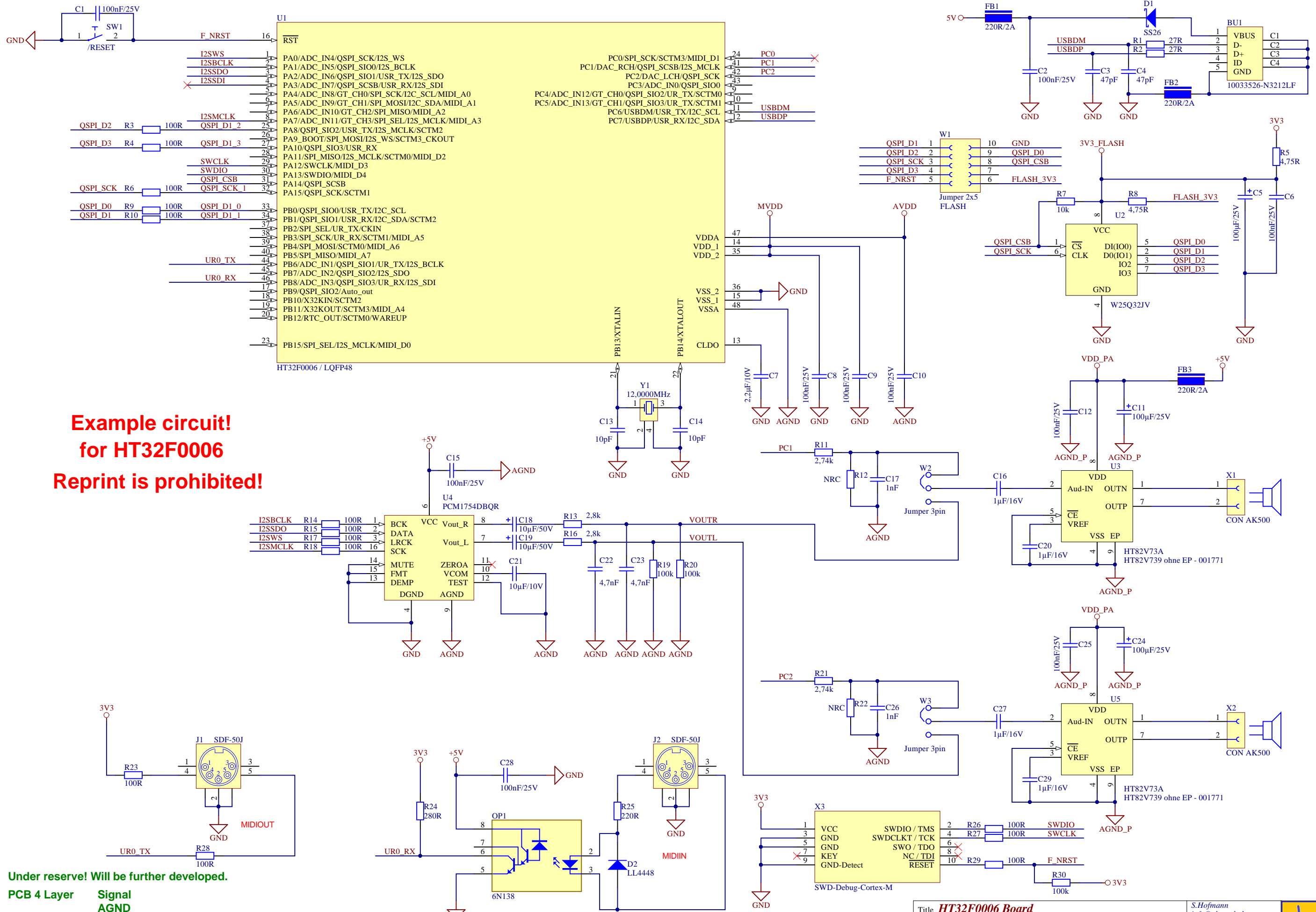
4

5

6

7

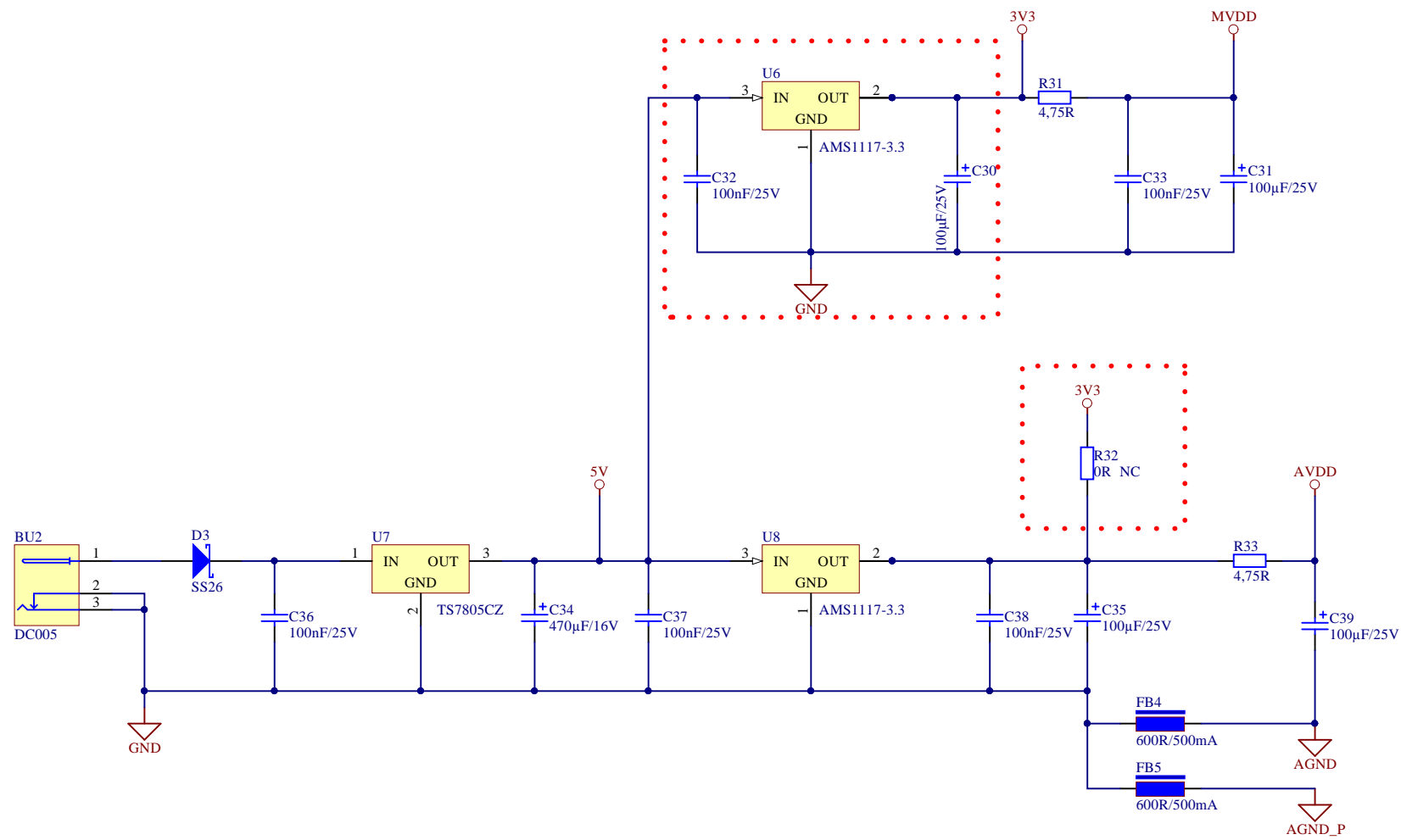
8



Example circuit!
for HT32F0006
Reprint is prohibited!

Under reserve! Will be further developed.

PCB 4 Layer
 Signal
 AGND
 AGND_P
 Signal/GND





Bearbeiter: S. Hofmann
 Tel: 040 /
 Fax: 040 / 76906856
 Email: shop@shotech.de

Bill of Materials

Datum:	9. August 2020
Zeit:	21:16:45
Variante:	None
Bezeichnung:	HT32F0006 Board
Revision:	0.0

Quantity	Designator	Footprint	Bemerkung	Value	MFT	Order-code	Second-source	shotech
1	BU1	USB_10033526_N3212LF	05P MINI USB B RECPTACLE	10033526-N3212LF	FCI	10033526-N3212LF	C105424 - Jing Extension of the Electronic Co. - LCSC	000354
1	BU2	DC10B		DC005		DC005-Gelb		000923
15	C1, C2, C6, C8, C9, C10, C12, C15, C25, C28, C32, C33, C36, C37, C38	C0603_N	SMD-Vs-Kond 100nF 25V 10% X7R 0603	100nF/25V	Samsung	CL10B104KA8NNNC	C0603C104M3RACTU	001659
2	C3, C4	C0603_N	KONDENSATOR, 0603, NPO, 50V, 47PF, 5%	47pF	DARFON	C1608NPO470JGT		000716
7	C5, C11, C24, C30, C31, C35, C39	CAPPR2-6x11	100uF/25V/20%/2000h/RM2.5/LowESR	100uF/25V	Samwha	WL1E107M6L011CA		001337
1	C7	C0805_N	CAPACITOR, 0805, X7R, 10V, 2.2UF	2,2uF/10V	Murata	GRM21BR71A225KA01L	CL21B225KPFNNNG - 000165	000129
2	C13, C14	C0603_N	KONDENSATOR, 0603, NPO, 50V, 10PF, 0,25%	10pF	SAMSUNG	CL10C100CB8NNNC		
4	C16, C20, C27, C29	C0603_N	KONDENSATOR, 1uF, 16V, X7R, 10%, 0603	1uF/16V	Samsung	CL10B105KO8NNNC	TMK107B7105KA-T	001660
2	C17, C26	C0603_N	KC 1.0nF 0603 10% 50V X7R	1nF	Samsung Electro-Mechanics	CL10B102KB8NNNC		000800
2	C18, C19	CAPPR2-5x11 - RM2.5	10uF/50V/20%/RM2.5/105 °C /2000h	10uF/50V	Chang	RL1H100MC110B25CEH		001339
1	C21	C0805_N	CAPACITOR, 0805, X5R, 10V, 10UF	10uF/10V	Murata	GRM21BR61A106KE19L	CL21B106KPNNG -	000134
2	C22, C23	C0603_N	CAP CER 4,7nF 50V 10% X7R 0603	4,7nF	Samsung Electro-Mechanics	CL10B472KB8NNNC		001774
1	C34	CAPPR5-10x12 - RM5	470uF/16V/20%/5000h/RM5.0, ESR 53mR, Ripple 1030mA	470uF/16V	Chang	GK1C471MG125B50CE0		001340
2	D1, D3	D10M5336X244N	DIODE SCHOTTKY,1A, 60V, SMD,DO-214	SS26	Vishay	SS26-E3/52T	SS26 / 000373	001779
1	D2	D10MELF3514N	SMD-Si-Diode 100V 150mA Minimelf	LL4448		LL4448	1N4148	000238
3	FB1, FB2, FB3	I0805_NC		BLM21PG221SN1D	Murata	BLM21PG221SN1D		000331
2	FB4, FB5	I0603_FB		BLM18AG601SN1D	Murata	BLM18AG601SN1D	CIM10U601NC - 000670	
2	J1, J2	SDF-50J	DIN, 5Pjack, rt, throughhole, w/shielding	SDF-50J	CUI	SDF-50J	MABP 5S	
1	OP1	P008	Optok-Darl >2.5kV 7V 60mA DIP8	6N138	Vishay	6N138		
2	R1, R2	C0603_N	WIDERSTAND, 0603, 27R, 1%	27R	Yageo	RC0603FR-0727RL		001778
14	R3, R4, R6, R9, R10, R14, R15, R17, R18, R23, R26, R27, R28, R29	R0603_N	WIDERSTAND, 0603, 100R, 1%	100R	TAI-OHM	RM06FT-1000		000142
4	R5, R8, R31, R33	R0603_N	WIDERSTAND, 0603, 4,75R, 1%	4,75R	TAI-OHM	RM06FT4758		001271
1	R7	R0603_N	RESISTOR, 0603, 10K0, 1%	10k	VISHAY DRALORIC	CRCW060310K0FKEA		
2	R11, R21	R0603_N	WIDERSTAND, 0603, 2,74k, 1%	2,74k	Yageo	RC0603FR-072K74L		000943
3	R12, R22, R32	C0603_N	WIDERSTAND, 0603, 0R	0R	VISHAY DRALORIC			
2	R13, R16	R0603_N	WIDERSTAND, 0603, 2,8k, 1%	2,8k	Yageo	RC0603FR-072K8L		001775
3	R19, R20, R30	R0603_N	WIDERSTAND, 0603, 100KR, 1%	100k	VISHAY DRALORIC	CRCW0603100K0FKEA		000150
1	R24	R0603_N	WIDERSTAND, 0603, 280R, 1%	280R	Yageo	RC0603FR-07280RL		001777
1	R25	R0603_N	WIDERSTAND, 0603, 220R, 1%	220R	Yageo	RC0603FR-07220RL		001776
1	SW1	TMG-325	SMD-Taster 1NO 12V 50mA 4,3mm 130gf	Tact Switch	China	Product ID: 1813303037	TMG-325N-V-T/R - Diptronics	
1	U1	TSQFP50P900X900X160-48N	Cortex-M0+, with 32-channel Music Synthesizer, USB	HT32F0006 / LQFP48	Holtek Semiconductor	HT32F0006 / LQFP48		001657
1	U2	SOIC127P790X216-8N	3V 32M-BIT SERIAL FLASH MEMORY WITH DUAL, QUAD SPI	W25Q32JV	Winbond	W25Q32JVSSIQ		001772
2	U3, U5	SOIC127P600X175_HS-9N	1500mW Audio Power Amp with Shutdown	HT82V73A	Holtek	HT82V73A/8SOP	HT82V739 ohne EP - 001771	
1	U4	SOP64P600X175-16N	24-bit resolution, 192-kHz Sampling, Enhanced Multilevel, Delta-Sigma, Audio, DAC	PCM1754DBQR	Texas Instruments	PCM1754DBQR		001773
2	U6, U8	SOT230P700X180-4N	1A, LDO 3.3V	AMS1117-3.3	AMS	AMS1117-3.3		000340
1	U7	TO-220A - SK13 35	U-Reg +5V 1A TO220	TS7805CZ	Taiwan Semiconductor	TS7805CZ C0G		001573
1	W1	2X5		CON-2x5				
2	W2, W3	JP2	Jumper 3pin	Jumper 3pin	frei	frei		001564
2	X1, X2	AK500/2	AR-Klemmen 250V 2pol grau	ARK500/2	PTR-Messtechnik	AK500/2DS-5,0-V/GRAU		001576
1	X3	Cortex-SWD-Debug	CONN HDR 1.27MM VERT AU 10POS	SWD-Debug-Cortex-M	HARWIN	M50-3500542		
1	Y1	OSCCC320X250X70N	Quarz -SMD 12.000MHz 3.2x2.5mm, 20pF, 30R, 10ppm	12,0000MHz	China	627870671 - X32FG20QSA12000	JYXT32S4-012.00000-91E4C0 - Guangzhou Jingyou Electronic Tech	001159