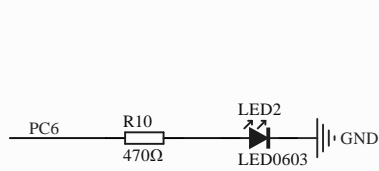
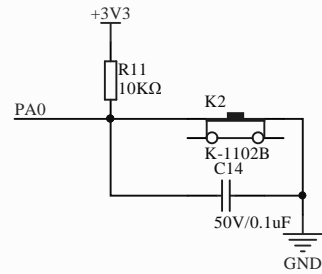


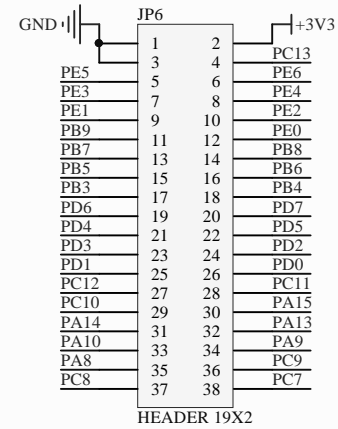
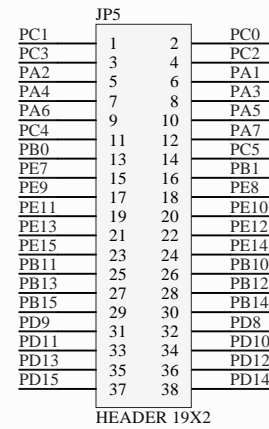
### LED



### KEY

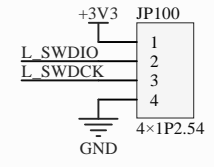


### Extension Pin

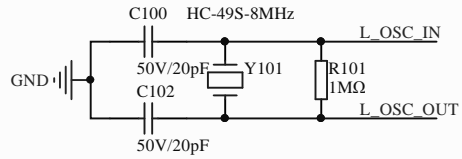


Company Name: GigaDevice		
File Name: Extension		
Revision: 1.0	Data: 2016-10	Author: XuFei

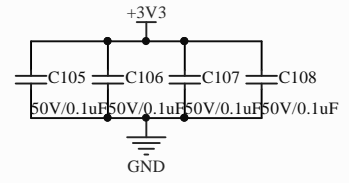
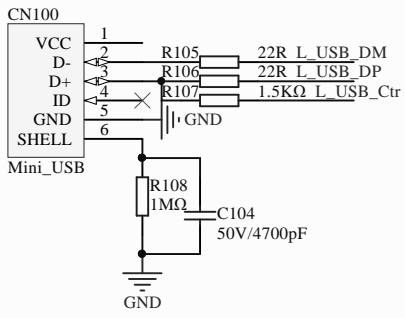
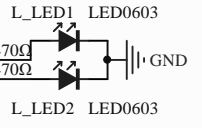
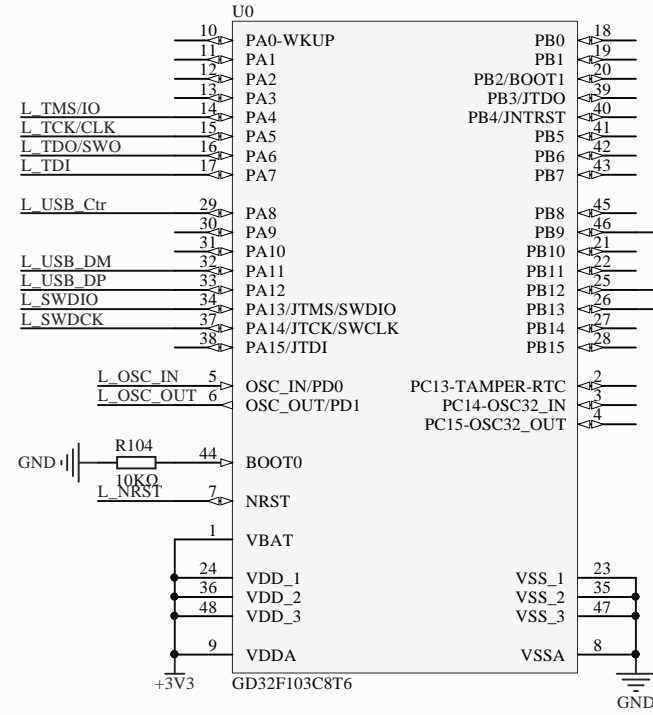
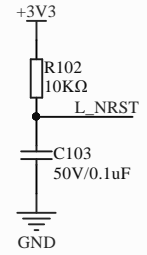
### MCU SWD



### HSE



### Reset



Company Name: GigaDevice

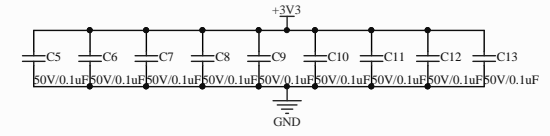
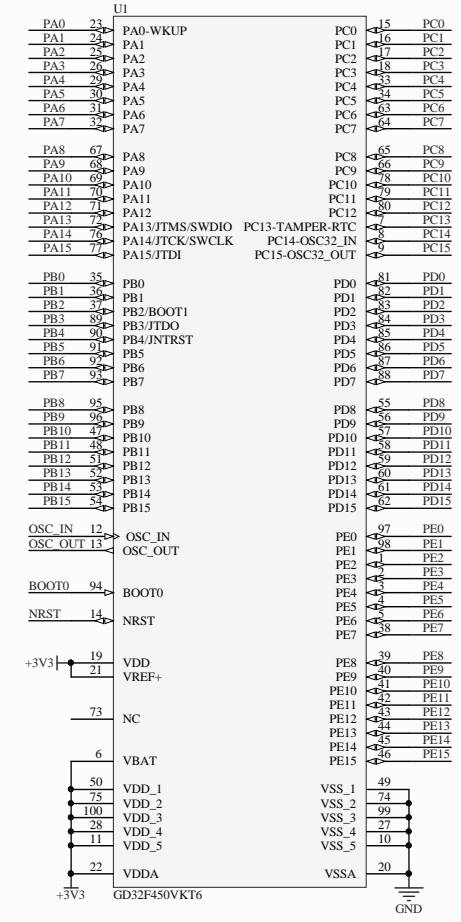
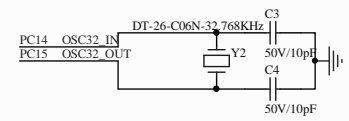
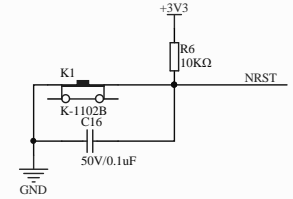
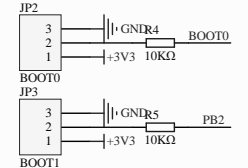
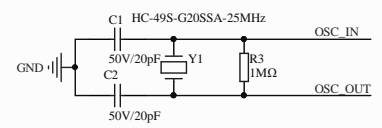
File Name: GDLink

Revision: 1.0

Data: 2015-01-09

Author: XuFei

GDLINK	JTAG		PB4
L_TDI	JTDO		PA15
L_TMS/IO	JTMS/SWDIO		PA13
L_TCK/CLK	JTCK/SWDCLK		PA14
L_TDO/SWO	JTDO		PB3
L_TReset	NRST		



Company Name: GigaDevice		
File Name: MCU		
Revision: 1.0	Date: 2016-10	Author: XuFei

1

2

3

4

A

A

B

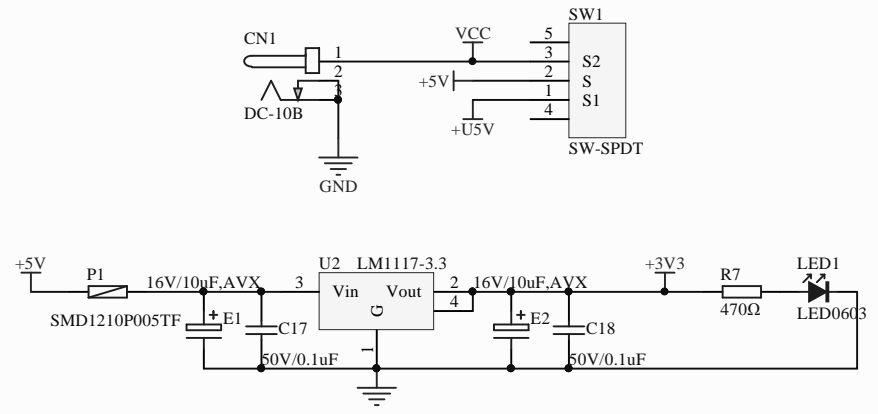
B

C

C

D

D



Company Name: GigaDevice

File Name: Power

Revision: 1.0

Data: 2016-10

Author: XuFei

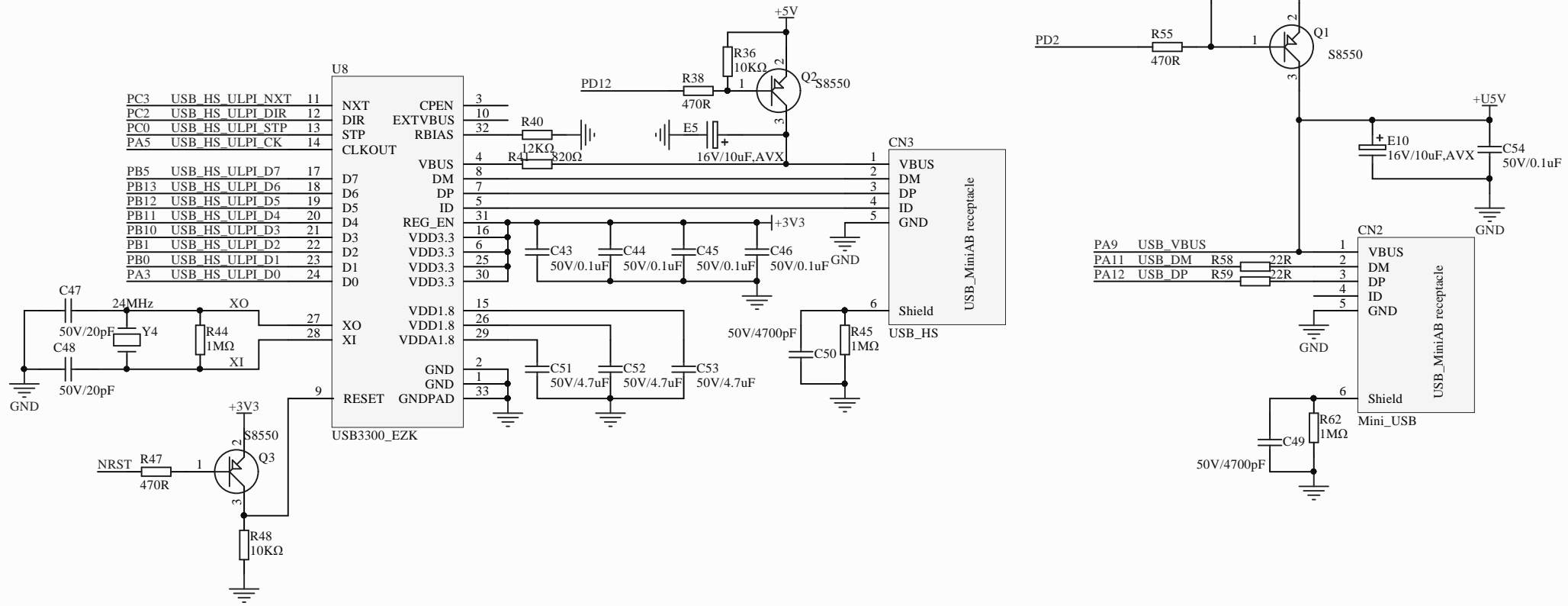
1

2

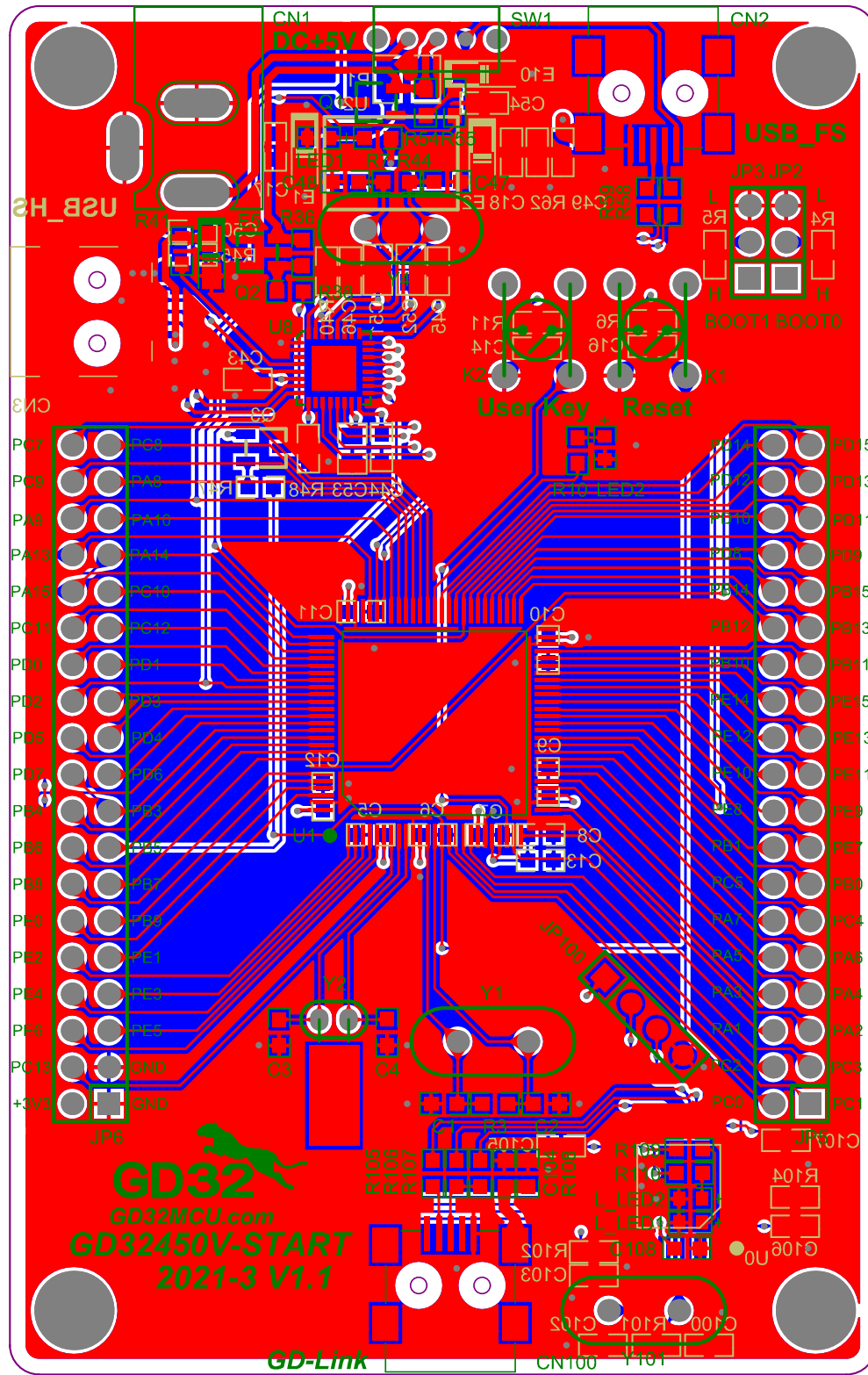
3

4

PC3	USB_HS_ULPI_NXT	11
PC2	USB_HS_ULPI_DIR	12
PC0	USB_HS_ULPI_STP	13
PA5	USB_HS_ULPI_CK	14
PB5	USB_HS_ULPI_D7	17
PB13	USB_HS_ULPI_D6	18
PB12	USB_HS_ULPI_D5	19
PB11	USB_HS_ULPI_D4	20
PB10	USB_HS_ULPI_D3	21
PB1	USB_HS_ULPI_D2	22
PB0	USB_HS_ULPI_D1	23
PA3	USB_HS_ULPI_D0	24



Company Name: GigaDevice		
File Name: USB		
Revision: 1.0	Data: 2016-10	Author: Xufei



**GD32**  
GD32MCU.com  
**GD32450V-START**  
2021-3 V1.1

GD-Link