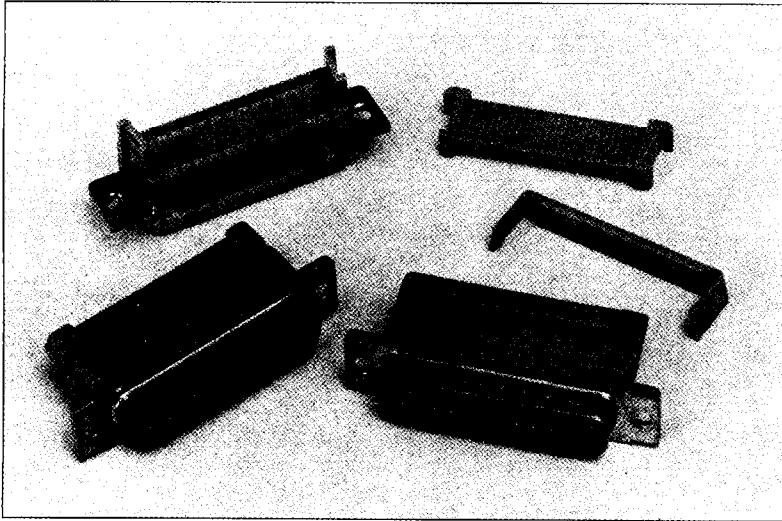


**AMPHENOL D-SUBMINIATURE MASS-TERMINATED  
FLAT RIBBON CABLE IDC D-SUB**

*A-65-07*  
**841 SERIES**



The Amphenol 841 series connectors are suitable for compact requirements of modern peripheral equipment. Special contact design allows usage of standard .050" (1.27 mm) flat cable while maintaining the standard contact centers of .054" (1.37 mm). The one-piece universal hood provides three locking options: plastic latch for one-hand operation and quick disconnect, screw locking and metal-spring latch locking. The hood accepts both straight and right angle cable entry for standard or jacketed cable.

**BENEFITS:**

- Compatible with MIL-C-24308 and IEC proposal 48 B (CO) 118
- Mates with other D-sub connectors
- Mass terminates to flat cable on .050" centers
- RS-232 and RS-449 standard
- Strain relief

**SPECIFICATIONS:**

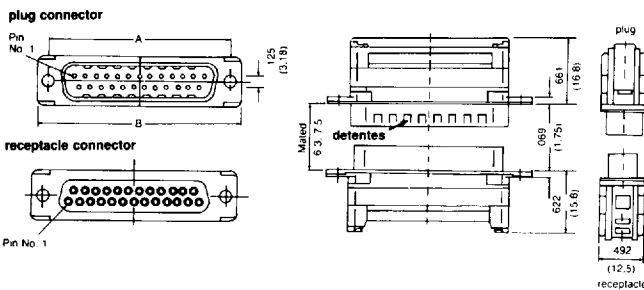
**Physical**

- Number of contacts: 9, 15, 25, 37, 50 both socket and pin
- Contact spacing: .054" (1.37 mm) terminates standard .050" (1.27 mm) ribbon cable
- Contact material: Phosphor bronze
- Contact plating: Gold over nickel
- Insulator material: Gray, glass filled polycarbonate, UL flammability rating 94 V-O
- Mounting flange: Metal, detents on male only
- Wire accommodation: AWG 26 solid, AWG 28 stranded
- Standards: RS-232 and RS-449

**Electrical**

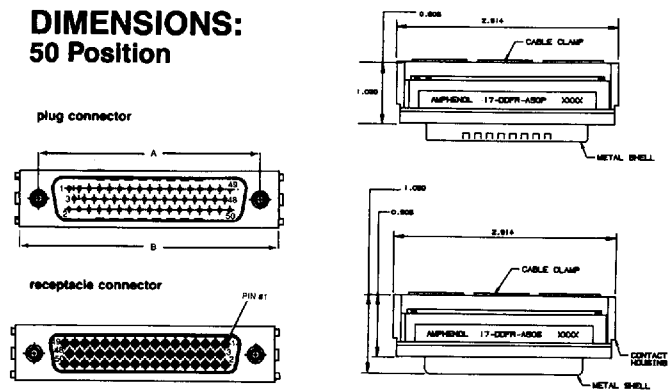
- Current rating: 1 amp
- Voltage rating: 25 VAC (VDE 0100 group A)
- Dielectric withstanding voltage: 780 V eff.
- Insulation resistance: 1000 m ohm min. at 500 VDC
- Contact resistance: 10 m ohm max at 1 amp DC
- Operating temperature: -25°C to +105°C, (-67°F to +221°F)

**DIMENSIONS:  
9, 15, 25, 37 Position**



No. of Contact	A		B	
	inch	mm	inch	mm
9	.984	(25.00)	1.205	(30.60)
15	1.311	(33.30)	1.531	(38.90)
25	1.852	(47.05)	2.078	(52.80)
37	2.500	(63.50)	2.718	(69.05)

**DIMENSIONS:  
50 Position**



No. of Contact	A		B	
	inch	mm	inch	mm
50	2.406	61.10	2.914	74.00

**AMPHENOL D-SUBMINIATURE MASS-TERMINATED  
FLAT RIBBON CABLE IDC D-SUB**

**841 SERIES**

**ORDERING INFORMATION**

**PLASTIC CONNECTOR**

No. of Contacts	Amphenol Part Numbers	
	Receptacle	Plug
9	841-17-DEFR-B9S	841-17-DEFR-B9P
15	841-17-DAFR-B15S	841-17-DAFR-B15P
25	841-17-DBFR-B25S	841-17-DBFR-B25P
37	841-17-DCFR-B37S	841-17-DCFR-B37P

**PLASTIC CONNECTOR WITH  
4-40 THREADED INSERT**

No. of Contacts	Amphenol Part Numbers	
	Receptacle	Plug
9	841-17-DEFR-DB9S	841-17-DEFR-DB9P
15	841-17-DAFR-DB15S	841-17-DAFR-DB15P
25	841-17-DBFR-DB25S	841-17-DBFR-DB25P
37	841-17-DCFR-DB37S	841-17-DCFR-DB37P

**METAL FLANGE CONNECTOR**

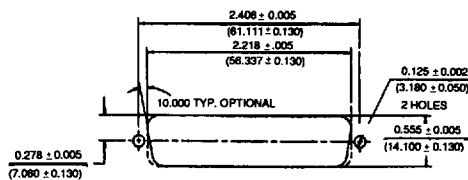
No. of Contacts	Amphenol Part Numbers	
	Receptacle	Plug
9	841-17-DEFR-A9S	841-17-DEFR-A9P
15	841-17-DAFR-A15S	841-17-DAFR-A15P
25	841-17-DBFR-A25S	841-17-DBFR-A25P
37	841-17-DCFR-A37S	841-17-DCFR-A37P

**METAL FLANGE CONNECTOR WITH  
4-40 THREADED INSERT**

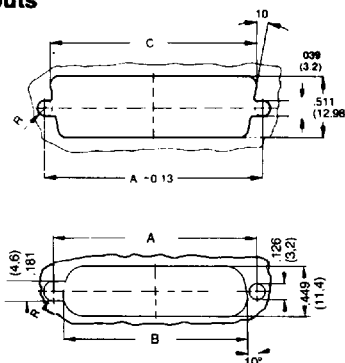
No. of Contacts	Amphenol Part Numbers	
	Receptacle	Plug
9	841-17-DEFR-DA9S	841-17-DEFR-DA9P
15	841-17-DAFR-DA15S	841-17-DAFR-DA15P
25	841-17-DBFR-DA25S	841-17-DBFR-DA25P
37	841-17-DCFR-DA37S	841-17-DCFR-DA37P

**50 POSITION METAL FLANGE CONNECTOR  
WITH 4-40 THREADED INSERT**

No. of Contacts	Amphenol Part Numbers	
	Receptacle	Plug
50	841-17-DDFR-A50S	841-17-DDFR-A50P



Panel cutouts



No. of Contacts	"A" Inches (mm)	"C" Inches (mm)
9	.984 (25.0)	.874 (22.2)
15	1.311 (33.3)	1.201 (30.5)
25	1.852 (47.0)	1.744 (44.3)
37	2.50 (63.5)	2.390 (60.7)

No. of Contacts	"A" Inches (mm)	"B" Inches (mm)
9	.984 (25.0)	.806 (20.5)
15	1.312 (33.3)	1.134 (28.8)
25	1.852 (47.0)	1.674 (42.5)
37	2.50 (63.5)	2.326 (59.1)